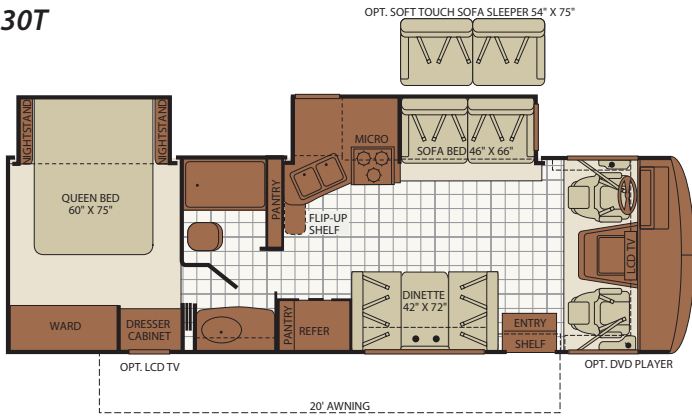


2010 **Bounder**[®]
Classic
CLASS A GAS

The Motor Home that Really Works!

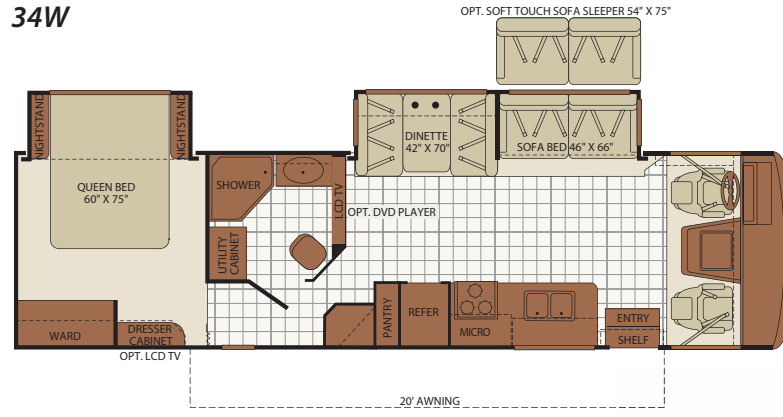


30T



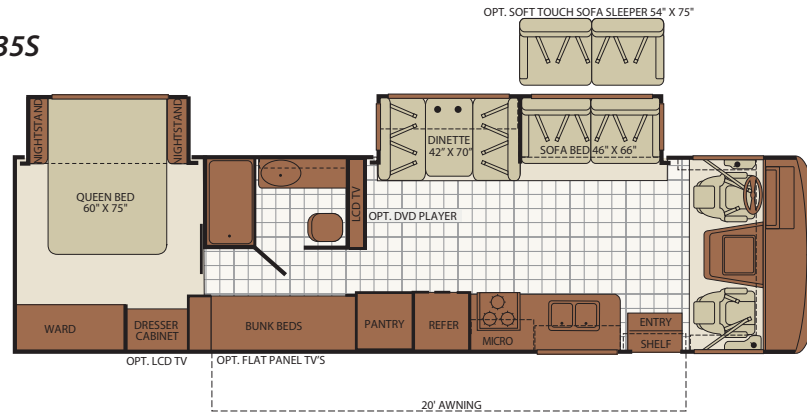
INTERIOR STORAGE CAPACITY: 160 CU. FT.
EXTERIOR STORAGE CAPACITY: 103 CU. FT.

34W



INTERIOR STORAGE CAPACITY: 112 CU. FT.
EXTERIOR STORAGE CAPACITY: 155 CU. FT.

35S



INTERIOR STORAGE CAPACITY: 167 CU. FT.
EXTERIOR STORAGE CAPACITY: 166 CU. FT.

Bounder Classic

"Jackie, the Classic has everything we're looking for:

- Functionality & Abundant Storage
- Innovative Livable Floor Plans
- Fully Featured at an Affordable Price"



Seatbelt configuration may vary depending on options chosen.



"I sure hope mom and dad buy us a new Bounder Classic!"



STANDARD FEATURES

INTERIOR THROUGHOUT

- 15,000 Btu Ducted Air Conditioner
- 2 Interior Décors
- 34,000 Btu Furnace
- 6 Gallon Quick Recovery Water Heater w/ Direct Spark Ignition
- Battery Disconnect System
- Automotive A/C Heater Combo
- TuffPEX Plumbing System
- Deluxe Roller Bearing, Full Extension Drawer Guides
- Wood Cabinet Doors w/Raised Panels at Upper Doors
- Hidden Cabinet Door Hinges
- On Demand Water Pump w/Filter
- Systems Monitor Panel
- 120V/12V AC/DC Converter
- Central Electrical Panel w/Charger
- Energy Management System
- Wall Mounted Heat Registers/Floor Registers in Bedroom
- Water Heater Bypass

DRIVER CONVENIENCE

- 3 Point Seat Belts at Driver & Front Pass. Seats
- AM/FM Radio w/CD & Electronic Tuning
- Auxiliary Start Circuit
- Cruise Control
- Double Swivel Sun Visors w/Map Pockets
- Flexsteel® Driver Captain's Chair w/Reclining Back/Slide Controls
- Flexsteel® Passenger Chair w/Reclining Back/Slide Controls
- Intermittent Wiper Control
- Radio Switch Main/Auxiliary Power
- Tilt Steering Wheel
- 12V Power Jack

LIVING ROOM

- 32" LCD HDTV Mid-Coach Location (34W, 35S)
- 26" LCD HDTV Front Overhead Location (30T)
- Night Pleated Shades

- Video Control Box
- Vinyl Floor Covering in Lavvy/Galley/Living Room

GALLEY

- 8 cu. ft. Dometic® Refrigerator
- 3 Burner Range w/17" Oven
- 30" Microwave
- Fan-Tastic® Power Roof Vent
- Coordinated Cabinet Hardware
- Large Stainless Steel Double Sink
- High Rise Faucet
- Wood Drawer Construction

BEDROOM

- Wardrobe w/Mirrored Doors
- Innerspring Mattress
- Rear TV Receptacle
- Adjustable Reading Lights

BATHROOM

- Porcelain Marine Toilet
- Molded ABS Shower/Tub w/Surround
- Power Bath Vent
- Skylight in Tub/Shower
- Glass Shower Door (34W)
- Shower Curtain (30T, 35S)
- Medicine Cabinet w/Adjustable Shelves
- Vanity Lights
- Toilet Tank San-T-Flush™ System

SAFETY/CONVENIENCE

- 10 ABC Fire Extinguisher
- Carbon Monoxide Detector/Alarm
- Propane Detector/Alarm
- Smoke Detector/Alarm
- Entry Grab Handle
- Multiple Seatbelt Locations

EXTERIOR THROUGHOUT

- Graphic Color Choices to Match Décor
- 30 Amp Service

- 4.0 kW Onan® MicroQuiet Generator
- Amber Porch Light
- Awning Rail/Drip Molding (Both Sides)
- Exterior Wash Unit
- Power/Heated Rear View Mirrors
- Full Basement Configuration
- Pass-Through Basement Storage with Side-Swing Doors for Easy Access
- Ultra High Gloss Fiberglass Walls for Striking Looks
- Dometic® Patio Awning
- Radius Entry Door
- Roof Ladder
- TV Antenna w/Signal Booster
- ABS Front/Rear Wheel Well Trims
- 4 Point Automatic Levelers
- Dual 6V Deep Cycle 217 Amp Auxiliary Batteries
- Tinted Dual Pane Windows

AUTOMOTIVE

- Halogen Headlights w/Polycarbonate Lens
- Rear Fuel Fill
- Trailer Hitch w/7 Pin Electrical Hook-Up†
- 5,000 lb. Towing Capacity†
- 19.5" Stainless Steel Wheel Simulators

SAFETY/CONVENIENCE

- Deadbolt Latch on Entry Door
- Dual Battery Charge Control
- High Mounted Taillights
- Lighted Entry Assist Handle
- One-Piece Swing-Down Engine Access Door
- Park Cable Receptacle
- Patio Receptacle
- Power Entry Step
- Automotive Safety Glass
- Daytime Running Lights
- Hydraulic 4 Wheel Disk Brakes w/4 Wheel Anti-Lock Brakes

BODY STRUCTURE

- Aluminum Interlocking Floor/Wall/Ceiling Framing

- Vacu-bond® Floor and Ceiling
- Vacu-bond® Walls w/Smooth High Gloss Exterior Tuff-Coat® Fiberglass
- Fiberglass Front/Rear Cap
- Windshield Bonded to Fiberglass Front Cap
- One-Piece Royal Tuff-Ply Radius Roof
- Power Platform® Construction (Fleetwood Exclusive)

STORAGE

- Large, Exterior Pass-Through Storage Compartments
- Lighted Luggage Compartments
- Insulated, Side-Swing Luggage Doors
- Rotomolded Polyethylene Luggage Compartments
- Continuous One-Piece Compartment Bulb Seal

INTERIOR OPTIONS

- Sirius Satellite Radio® (6 Month Subscription Included)
- DVD Player
- DSS Manual Lift Satellite Dish
- 19" LCD HDTV in Bedroom
- Dual Flat Panel TVs (35S)
- Soft Touch Sofa Sleeper

EXTERIOR OPTIONS

- 30 Amp EMS w/5.5kW Generator/Dual A/C
- 50 Amp EMS w/5.5kW Generator/Dual A/C
- Spare Tire (19.5" Wheels Only)
- Additional Fresh Water

* Not all options are available on all floor plans. See your Fleetwood dealer for details.

** CSA standards may require substitution or deletion to achieve conformance.

† The chassis manufacturer recommends the installation of a supplemental brake control system to activate the brakes on the vehicle or trailer you are towing. Hitch receiver ratings expressed are maximum for the hitch receiver installed and may require the purchase of additional equipment that is dependent on the weight of the towed load. Consult with hitch receiver manufacturer for further information.

WEIGHTS & MEASUREMENTS

FORD® CHASSIS / WORKHORSE™ CHASSIS

| MODELS | 30T | 34W | 35S |
|--|--------|---------|---------|
| Engine Displacement (Liters) | 6.8 | 6.8/8.1 | 6.8/8.1 |
| Wheelbase (Inches) | 208" | 208" | 228" |
| GVWR (lbs) ¹ | 22,000 | 22,000 | 22,000 |
| Front GAWR (lbs) ² | 7,500 | 7,500 | 7,500 |
| Rear GAWR (lbs) ² | 14,500 | 14,500 | 14,500 |
| GCWR (lbs) ³ | 26,000 | 26,000 | 26,000 |
| Hitch Rating Weight (lbs) [†] | 5,000 | 5,000 | 5,000 |
| Tongue Weight (lbs) [†] | 500 | 500 | 500 |
| Fuel Capacity (gal) | 75 | 75 | 75 |

DIMENSIONS & CAPACITIES

| MODELS | 30T | 34W | 35S |
|--|--------|--------|--------|
| Overall Length ⁴ | 30' 7" | 34' 7" | 35' 7" |
| Overall Height (with A/C) | 12' | 12' | 12' |
| Overall Width (maximum) ^{5,6} | 102" | 102" | 102" |
| Interior Height (maximum) | 79" | 79" | 79" |
| Interior Width (maximum) | 96" | 96" | 96" |
| Fresh Water Holding Tank (gal) | 50 | 50 | 50 |
| Grey Water Holding Tank (gal) | 40 | 40 | 40 |
| Black Water Holding Tank (gal) | 30 | 30 | 30 |
| Appliance Propane Tank (gal) (WC) ⁷ | 20 | 20 | 20 |
| Water Heater Tank (gal) | 6 | 6 | 6 |

CHASSIS

Model: Ford®Workhorse™
Engine: 6.8L Triton V10/8.1L Vortec[†] V8
Transmission: Ford®, 5-Speed Automatic w/Overdrive
 Workhorse™, 6-Speed Automatic w/Overdrive

Alternator: 130 Amp/145 Amp
Torque: 457 lb-ft @ 3250 RPM/455 lb-ft @ 3200 RPM
Horsepower: 362HP/340HP

LIQUID WEIGHT REFERENCE

Water (gal) = (8.3 lbs/3.8kgs)
 Fuel (gal) = (6.1 lbs/2.8 kgs)
 Propane (gal) = (4.2 lbs/1.9 kgs)

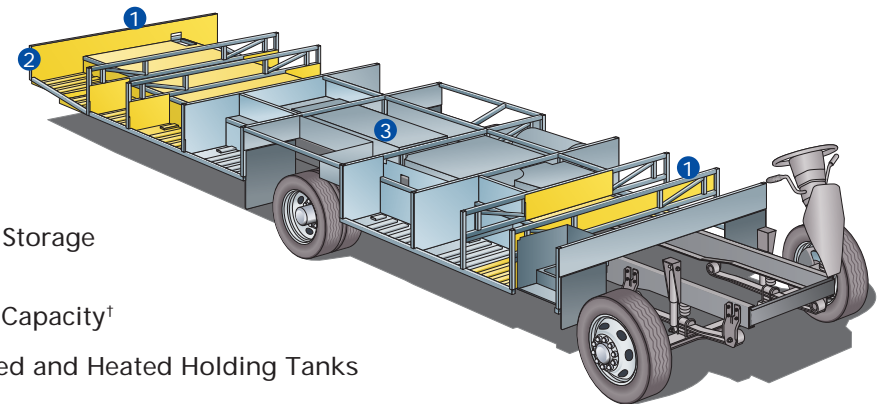
METRIC CONVERSION

Multiply pounds x 0.453 to obtain kilograms.
 Multiply gallons x 3.785 to obtain liters.
 Multiply liters x 61 to obtain cubic inches.

POWER PLATFORM®.

Built for strength, stability and pass-through storage.

Fleetwood's patented Power Platform® is the envy of our competitors. The ultra-strong chassis construction provides enormous storage space, lined with molded plastic for easy cleaning and lit to help you see after dark. The holding tanks are positioned in the bottom to enhance balance, and enclosed so they can be heated in cold weather to help prevent freezing.



1 Pass-Through Storage Compartment

2 Large Towing Capacity[†]

3 Center Mounted and Heated Holding Tanks

Drawings are for illustrative purposes only to highlight aspects of motor home construction. Actual motor home design depends on model and is subject to change.

- GVWR (Gross Vehicle Weight Rating) is the maximum permissible weight of this fully loaded motor home. The GVWR is equal to or greater than the sum of the (UVW) unloaded vehicle weight plus the (OCCC) occupant cargo carrying capacity*.
- GAWR (Gross Axle Weight Rating) is the maximum permissible loaded weight a specific axle is designed to carry.
- GCWR (Gross Combined Weight Rating) is the value specified by the motor home manufacturer as the maximum allowable loaded weight of this motor home with its towed vehicle. Towing and braking capacities may be different. Refer to Fleetwood and chassis manufacturer's manuals for complete information.
- Length measured from front bumper to rear bumper (excludes accessories).
- Excludes safety equipment and awnings.
- Motor homes feature a body-width over 96" which will restrict your access to certain roads. Before purchasing, you should research any state and/or province road laws which may affect your usage.
- Tank manufacturer's listed water capacity (WC). Actual propane capacity is 80% of water listing as required by the safety code.

[†] The chassis manufacturer recommends the installation of a supplemental brake control system to activate the brakes on the vehicle or trailer you are towing. Hitch receiver ratings expressed are maximum for the hitch receiver installed and may require the purchase of additional equipment that is dependent on the weight of the towed load. Consult with hitch receiver manufacturer for further information.

* UVW and OCCC are found on the label containing the federal certification tag in each RV.

IMPORTANT – PLEASE READ: Product information, photography and illustrations included in this publication were as accurate as possible at the time of printing. For further product information and changes, please visit our website at www.fleetwoodrv.com or contact your local Fleetwood dealer. Prices, materials, design and specifications are subject to change without notice. All weights, fuel, liquid capacities and dimensions are approximate. Fleetwood has designed its recreational vehicles to provide a variety of uses for its customers. Each vehicle features optimal seating, sleeping, storage and fluid capacities. The user is responsible for selecting the proper combination of loads (i.e. occupants, equipment, fluids, cargo, etc.) to ensure that the vehicle's capacities are not exceeded.